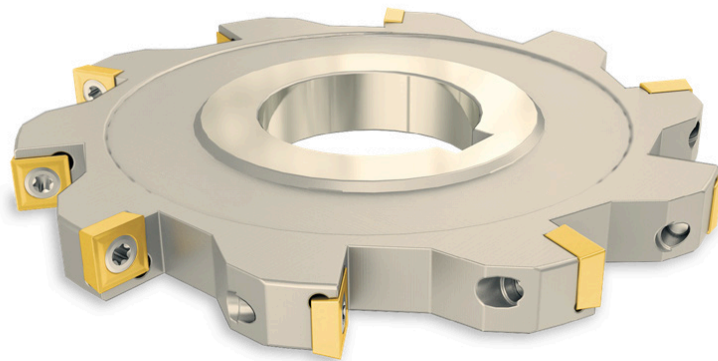
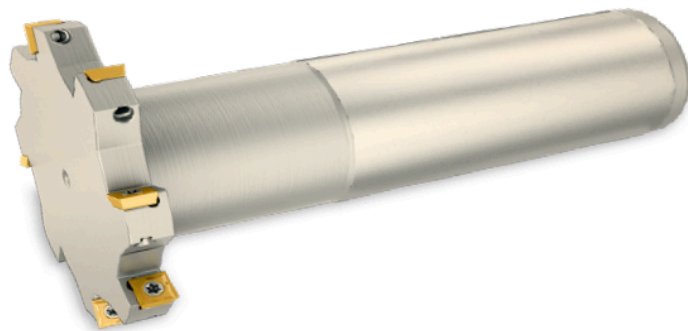
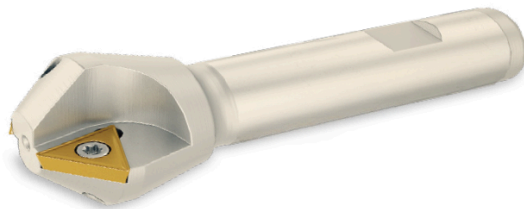


**FLYER  
2025**



# **CZAR** **SPECIAL TOOLS**



**BORING | MILLING | DRILLING | TURNING**

# ROUGH AND FINE BORING BAR



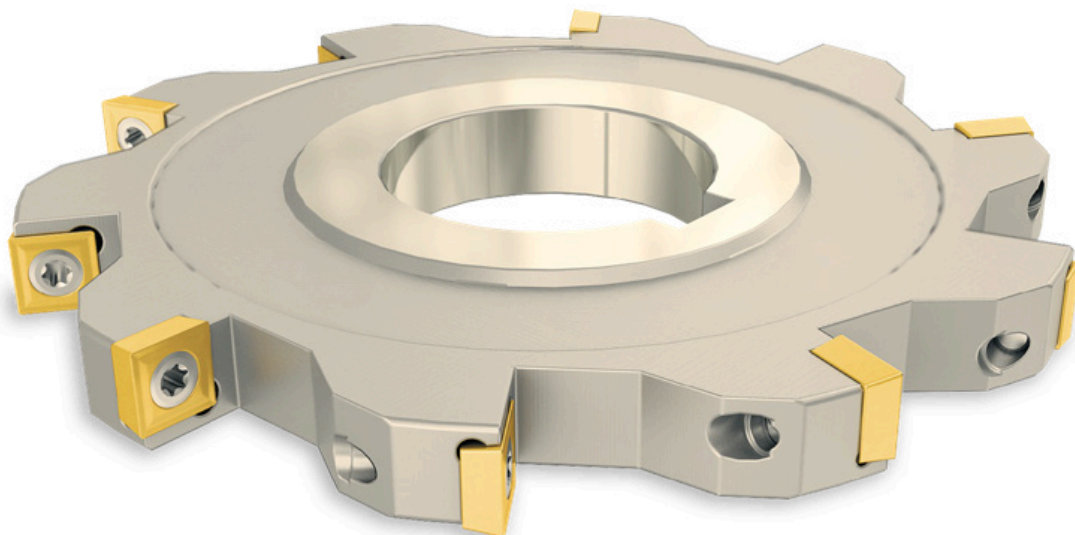
**SIZE RANGE DIA 6MM TO 300MM**



## EXTENDED FLUTE MILLING CUTTER



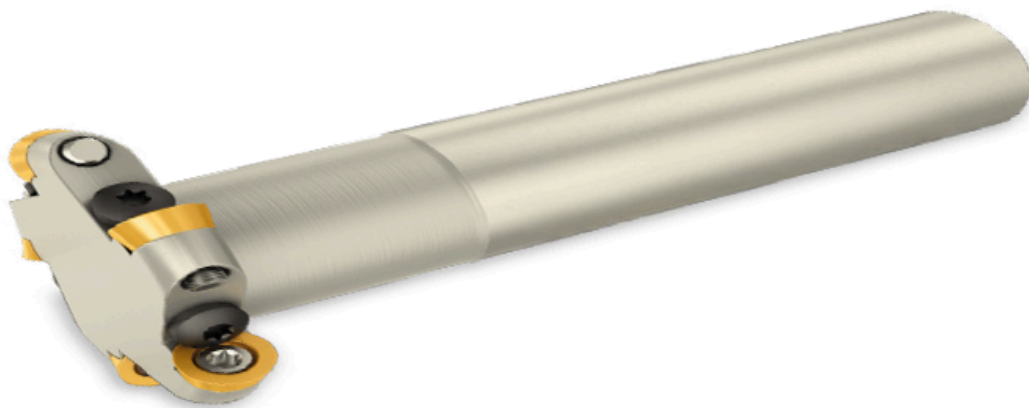
## SIDE AND FACE CUTTER



## T-SLOT MILLING CUTTER



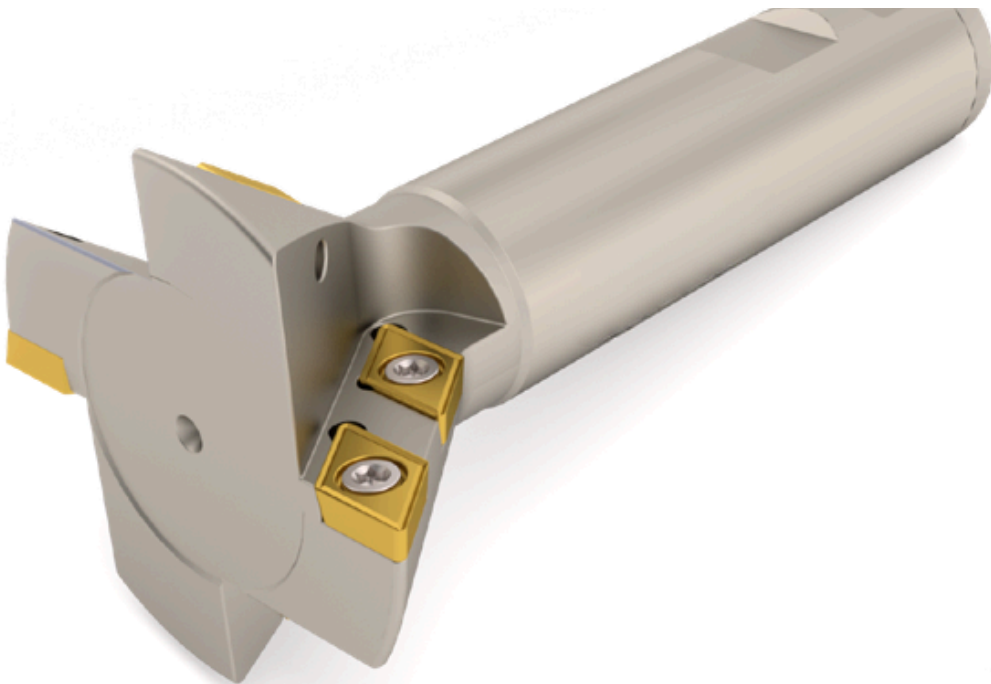
## RADIUS T-SLOT CUTTER



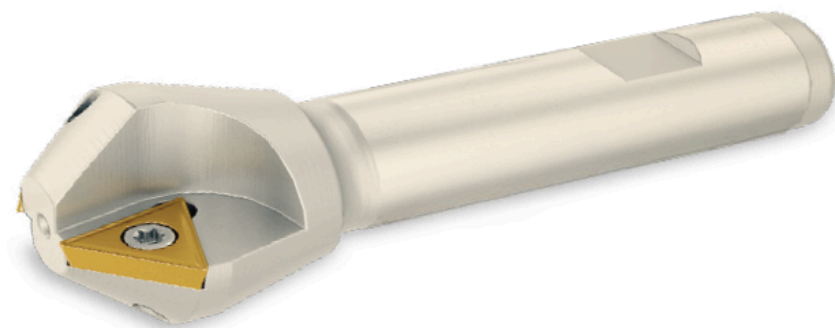
## **ANGLE MILLING CUTTER**



## **DOVETAIL CUTTER**



## CHAMFER MILL



## ANGLED CHAMFER MILL

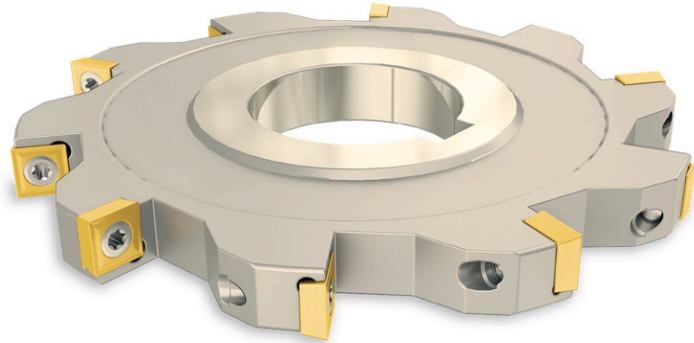


## BACK FACING TOOL



## Office

CZAR SOLUTIONS  
Office 210, 2nd Floor  
GK Sapphire  
Rahatani Road  
Rahatani  
Pune -411017  
India



GST 27AAOFC9611P1ZQ

## Contact

Phone:

+91 9561064394

+91 9843216782

Email:

[nareshbr@czarsolutions.in](mailto:nareshbr@czarsolutions.in)

[murali@czarsolutions.in](mailto:murali@czarsolutions.in)



Website:

[www.czarsolutions.in](http://www.czarsolutions.in)

